



Removable
TEMKET textile
insulation blanket

STANDARDS 01/2011



Removable **TEMKET** insulating blankets for high-temperature equipment

The removable **TEMKET** insulation blanket is the ideal insulating type for gas turbines, armatures, valves, filters, slides and other devices involved in the heating process. It insulates hot surface, it provides energy saving, it protect the operators and provides comfortable working environment. Typical use of the blanket is to provide better heat efficiency and minimum energy loss in the equipment. Pliable composition of the removable insulating blanket allows making any complicated shape with perfect surface.

TEMKET offers a variety of re-applicable insulation blankets, customized to your special needs and requirements

Thermo-insulating protective mattress, made of mineral wool of various widths and densities, equipped with aluminium foil on the outer surface, edged with two different fibreglass cloths, so-called jacket, along the whole circumference. The inner fibreglass cloth is resistant to temperature up to +500°C and it has been reinforced with twill binding. The outer fibreglass cloth, which forms the facing part of the jacket, is resistant to temperature up to +500°C. To improve mechanical and chemical resistance, the cloth is coated with polyurethane or silicone prime colour. The outer part of the mattress jacket has been stitched twice in the critical points and it has been closed with a seam. Kevlar thread containing fireproof retarder that is resistant to most organic solvents is used to sew the jacket. Velcro fasteners, sewn on the flaps, or stainless tongue-hook system are used to install the jacket. Fireproofed laces are used to fit the mattress to surface of the armatures or piping. Each mattress has been equipped with a visible label, which bears the information on the action which the mattress has been designed for, on location and type of the equipment which the mattress has been produced for. The thermo-insulating protective mattress is used to insulate armatures, equipment and piping in the way that allows insulating every device repeatedly and very easily without any loss of function, insulating features or shapes. The mattress can be taken off merely by unfastening the Velcro fasteners and untying the end laces and it can be put on in the same easy way after revision or repair has been carried out. The removable thermo-insulating protective mattress dramatically reduces operational costs; it saves energy; it improves the working environment, protects the operators from being burnt and reduces costs associated to handling the standard, i.e. metal-sheet armature covers.

Installation of the removable **TEMKET** insulation blanket



Measuring. Our site engineers shall visit your plant, carry out measuring on the spot precisely and they shall help specify suitable materials for your removable insulating blankets. Some applications may be realized without the measuring carried out by our engineer.

Production. Data acquired from the precise measurements and material specification shall be forwarded to our designers; production shall be realized in our plant. We offer fast delivery and we guarantee precision – each of our removable insulating blankets is customized to your equipment in accordance with your instructions.

Installation. Our service technicians are ready to come back to your plant and install the equipment precisely. We also provide training on installation of your removable insulating blankets. Our commitment is not finished until your requirements have been satisfied

TEMKET a – blanket for surface temperature of the equipment up to 150 °C

TEMKET b – blanket for surface temperature of the equipment up to 200 °C

TEMKET c – blanket for surface temperature of the equipment up to 300 °C

Save the energy costs!

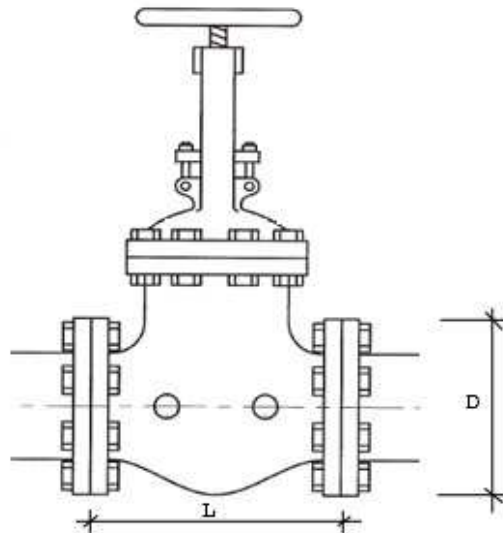
Increase safety of the workers!

Abate noise!

Keep the temperature!

Protect the valuable equipment from mechanical damage!

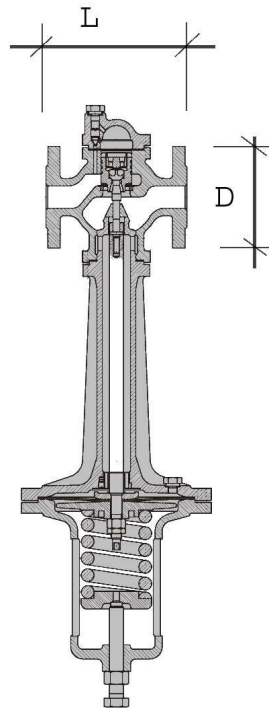
Stop Valve DN 15 – DN 200



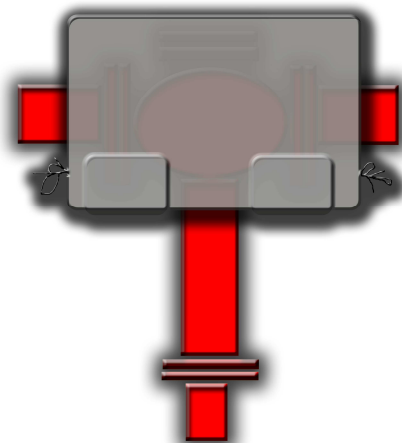
<i>Stop Valve</i>	Flange diameter D [cm]	Flange distance L [cm]
DN 15	9,5	13
DN 20	10,5	15
DN 25	11,5	16
DN 32	13	18
DN 40	15	20
DN 50	16,5	23
DN 65	18,5	29
DN 80	20	31
DN 100	22	35
DN 125	25	40
DN 150	28,5	48
DN 200	34	60



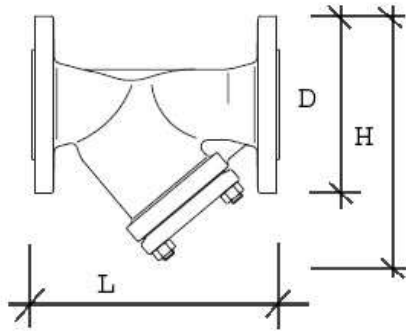
Control Valve DN 25 – DN 100



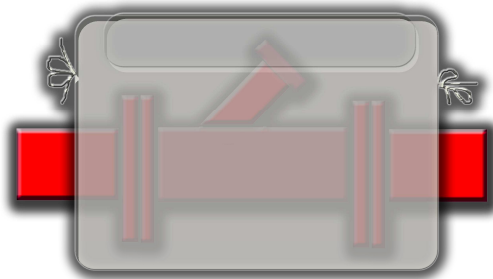
<i>Control Valve</i>	Flange diameter D [cm]	Flange distance L [cm]
DN 25	11	16
DN 40	14	20
DN 50	16	23
DN 65	18	29
DN 80	19	31
DN 100	23	35



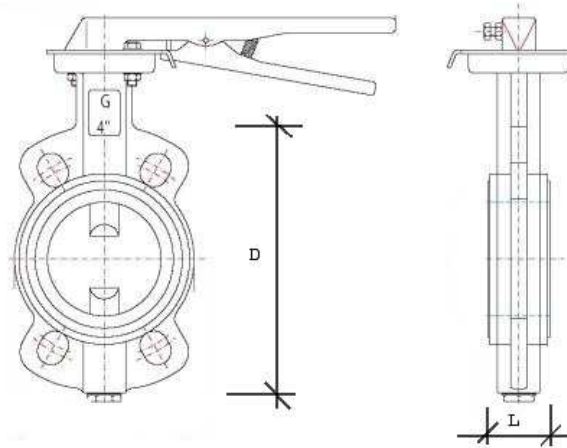
Filter DN 15 – DN 200



<i>Filter</i>	Flange diameter D	H [cm]	Flange distance L [cm]
DN 15	9,5	9	13
DN 20	10,5	10	15
DN 25	11,5	11,5	16
DN 32	14	12,5	18
DN 40	15	15	20
DN 50	16,5	16	23
DN 65	18,5	18	29
DN 80	20	21,5	31
DN 100	22	23,5	35
DN 125	25	27,5	40
DN 150	28,5	30,5	48
DN 200	34	39	60



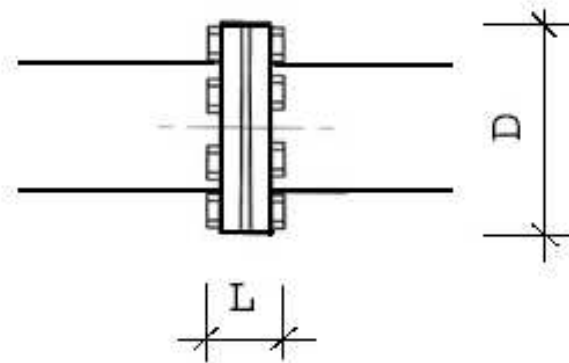
Shut-off Flap DN 15 – DN 200



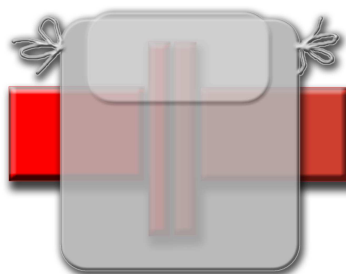
<i>Shut-off Flap</i>	Flange semi-diameter E	Diameter D [cm]	Flange distance L [cm]
DN 15	5,8	11,6	3,3
DN 20	5,8	11,6	3,3
DN 25	6,6	13,2	3,3
DN 32	6,9	13,8	3,3
DN 40	8,1	16,2	3,3
DN 50	10	20	4,3
DN 65	10	20	4,6
DN 80	10	20	4,6
DN 100	10,9	21,8	5,2
DN 125	12,4	24,8	5,6
DN 150	14	28	5,6
DN 200	16,7	33,4	6
DN 250	20,3	40,6	6,8
DN 300	23,2	46,4	7,8



Flange Joint DN 15 – DN 200



<i>Flange Joint</i>	Flange diameter D [cm]	Flange distance L [mm]
DN 15	9,5	14
DN 20	10,5	16
DN 25	11,5	16
DN 32	13	16
DN 40	15	17
DN 50	16,5	17
DN 65	18,5	18
DN 80	20	20
DN 100	22	21
DN 125	25	22
DN 150	28,5	25
DN 200	34	31
DN 250	38	32
DN 300	42	35



System of ordering the removable **TEMKET** insulations



Standard dimension ranges of the removable Temket insulations comply with the above-mentioned dimensions of the individual types of armatures and equipment and the price is based on the general pricelist.

Non-standard dimensions – the reading sheet must be filled in; after receiving the reading sheet a quotation, including the expected delivery date, shall be worked out in accordance with the individual specifications sent; after it has been confirmed bindingly by the ordering party as well as by the supplier, it shall be forwarded to production and it shall be dispatched on the date agreed.

Delivery period for the quantity up to 100 pieces is 14 days. When more than 100 pieces are ordered or when production is loaded at maximum, an individual delivery date shall be agreed after the order has been confirmed by both of the parties.

The price does not include shipping and handling costs.

The price is VAT excluded.